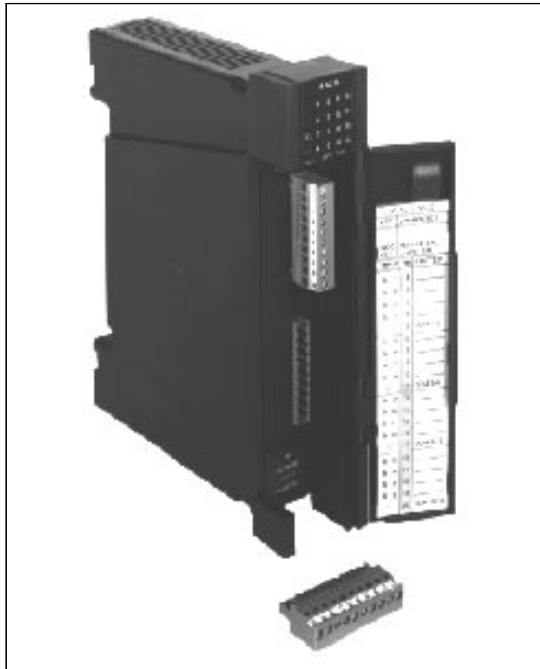


16ac Digital Input Module

for the MOSCAD RTU

FEATURES/BENEFITS

The 16ac Digital Input module is an accessory to the MOSCAD RTU family that allows up to 16 AC or DC voltages, from other on-site equipment, to be connected to the RTU. Examples include site or equipment door switches, centrifugal switches on motors, equipment malfunction switches, and tank float switches.



Data Input

Under the control of the defined Application Program, the CPU module in the RTU will read the current instantaneous status of one or more of the 16 inputs, and move that data from the 16ac Digital Input module into the CPU module via the motherboard.

◆ *This data may then be used by the Application Program to perform the desired functions.*

Low-Speed Counter Inputs

Each of the 16 digital inputs may be used as low-speed counter inputs if desired. The totalizing will be done within the CPU module under Application control.

◆ *Any number of counter inputs are easily obtained.*

Time-Tagging

Any of the 16 digital inputs may be defined to tag the time of the input event with one millisecond accuracy.

◆ *This time may then be read and used in sequence-of-event actions, etc. or used later for historical reports.*

Optical Isolation

All inputs are protected by optical isolators on the module.

◆ *Surge Withstand Capability (SWC) conformance is assured for the safety of the equipment and technicians.*

Packaging

The module is packaged in a plastic housing that plugs, and locks, into the motherboard. Wire connections (up to 14 ga. wire) are made to removable connectors on the face of the module. No jumpers, calibration pots, etc. are located on the module (any calibration is done electronically via software from the ToolBox program.)

◆ *Modularity allows the MOSCAD RTU to be easily expanded as system wants and needs change and makes field module replacement quick and easy.*

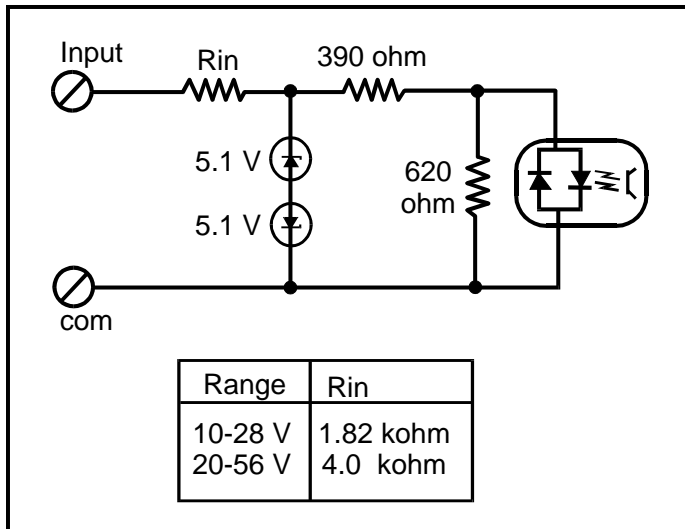


MOTOROLA

Specifications

Order	10-28 Vac/dc Inputs: 20-56 Vac/dc Inputs:	Plant installed: V329; Field installed: FLN2006 Plant installed: V379; Field installed: FLN2007
Input Type	16; may be counters (50 Hz or less); four inputs share a single Common	
Input Signal	No input: Voltage input:	<3.5 Vac/dc (10-28 Vac/dc module) <6 Vac/dc (20-56 Vac/dc module) >8 Vac/dc (10-28 Vac/dc module) >14 Vac/dc (20-56 Vac/dc module)
Input Isolation Input Protection	Optical isolation 2.5 kV SWC per ANSI C37.90.1-1989	
Diagnostic	20 LEDs:	16 for inputs, 1 each for Module Fail and No Clock
Power	5 Vdc: 12 Vdc:	20 ma 10 ma (50 ma when LEDs are on)
Environment	Humidity: Temperature:	0 to 90% @ +50°C -30 to +60°C

Typical Input Circuit



Connections Chart

Term	Function	Term	Function
1	Input1 (+)	11	Input9 (+)
2	Input2 (+)	12	Input10 (+)
3	Input3 (+)	13	Input11 (+)
4	Input4 (+)	14	Input12 (+)
5	common 1-4	15	common 9-12
6	Input5 (+)	16	Input13 (+)
7	Input6 (+)	17	Input14 (+)
8	Input7 (+)	18	Input15 (+)
9	Input8 (+)	19	Input16 (+)
10	common 5-8	20	common 13-16



Support Services

Wherever Motorola sells, our product is backed by service. Our products are serviced throughout the world by a wide network of company or authorized independent distributor service organizations. Specifications subject to change without notice.



Winner 1988



MOTOROLA

1301 E. Algonquin Road
Schaumburg, Illinois 60196
In the U.S. call: 1-800-247-2346
Outside the U.S. call: (708) 576-3107

© and Motorola are trademarks of Motorola, Inc. ■ © 1994
Motorola, Inc. ■ Printed in U.S.A. ■ Produced
by Customer Communications. 36 USC 380
Motorola is an Equal Employment Opportunity/
Affirmative Action Employer